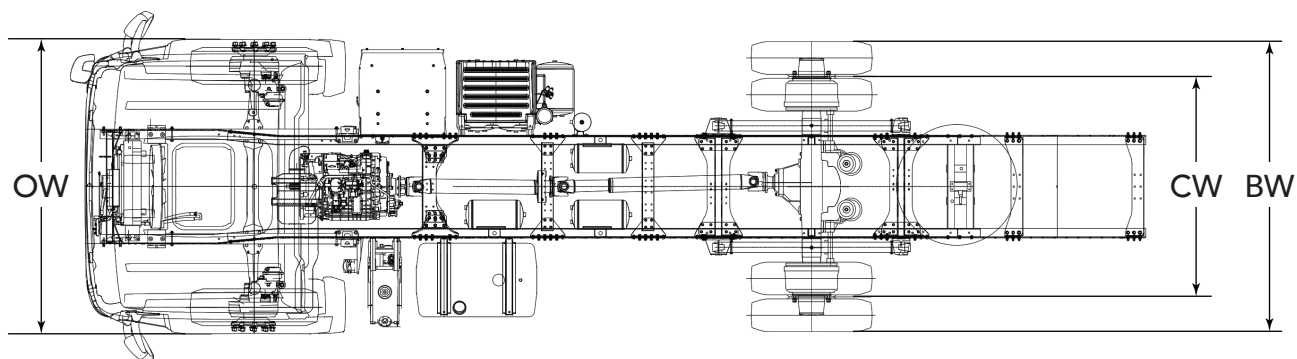
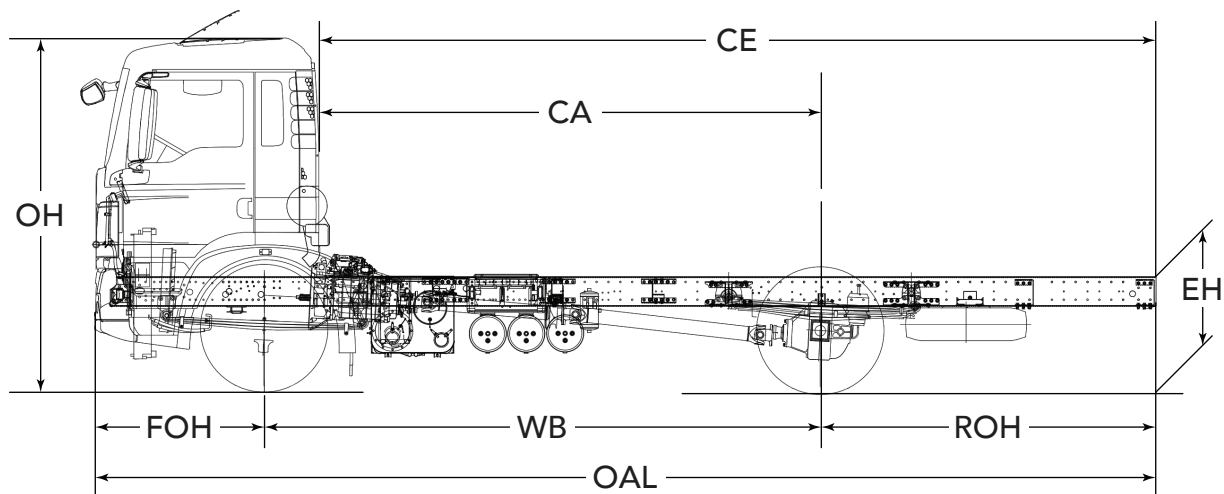


# SITRAK G5S 車陣圖 / 尺寸



輪距	OAL	WB	FOH	ROH	CE	CA	OW	BW	CW	OH Approx.	EH Approx.	毫米 (mm)
4,700	8,970	4,700	1,450	2,820	6,700	3,880	2,496	2,496	1,827	3,035	1,067	mm
5,650	11,390	5,650	1,450	3,360	8,140	4,760	2,496	2,496	1,827	3,035	1,067	mm
6,050	11,000	6,050	1,450	3,520	8,750	5,230	2,496	2,496	1,827	3,035	1,067	mm